

WestminsterLab

Phono input expansion module
MC & MM / DS Audio / Mono

Operational Manual

Index

1. Notes to customers, music lovers
2. Cautions
3. Package contents
4. Installation
5. Names of parts
6. Connecting the phono module
7. Setting up
8. Operation
9. Troubleshooting
10. Opinions to obtain best performance
11. Limited Warranty
12. Legal information

| Note to customers, music lovers

Thank you for purchasing the Phono input expansion module for Quest

Wholeheartedly and sincerely built in Hong Kong, the phono module crystallizes craftsmanship, skills, simplicity, science and listening experiences.

It is dedicated to every music lover who would like to experience music as it is. Or further, experience music itself.

Sincerely,
WestminsterLab Team

2 Cautions

- I. DO NOT remove or install the module or undo any screws when the unit is still power on or connected to the mains.
- II. WARNING! Do not expose this module to moisture or excessive humidity, and do not use it outdoors. Fire hazard may be resulted.
- III. Presence of uninsulated “dangerous voltage” within the product’s enclosure may be of sufficient magnitude to constitute a risk of electrical shock to persons.
- IV. Please make sure you have ALL the pins of the option card lined up and fully inserted into the socket located on the main-board. The installation of the securing screw also helps to confirms if all the pins are inserted correctly. Failure to do so will result in a irreversible complete power supply failure.
- V. Please contact your local WestminsterLab dealer or distributor for installation if you are in any doubt during the process.

3 Unpacking & Package contents

Your phono module should come in one single box. The unit itself and the box should have a matching serial number. In case of discrepancies, please contact your dealer.

Unpacking the module from the box

Please open the box and carefully remove the module from the anti-static bag. A separate M3 screw is also contained within the package, please keep it safe as you will need it later during installation.

If any of the following items are missing, please contact your dealer:

- I. I Phono input expansion module
- II. I M3 Screw

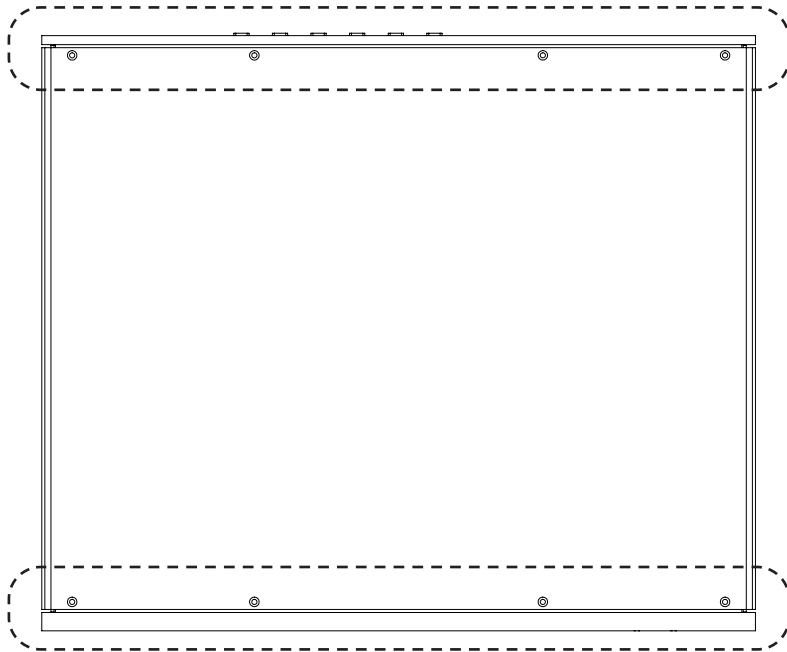
4 Installation (Quest)

Installation and precautions

Before any installation or connection, please make sure the Quest is completely powered down, main switch switched off and the power cord unplugged and remove from the back of the unit. We advice to leave the unit idle for 5 minutes after disconnecting the power cable before installing the phono card.

WARNING! NEVER plug or unplug any cables during operation. It may cause failure or damage to the pre-amplifier, amplifier and speakers. Be sure that both the pre-amplifier and the amplifier are switched off before unplugging any cables. It is even safer to unplug the AC power cord before unplugging other cables.

The installation should take no more than 15 minutes to do so and you will only need a T10 Torx screwdriver. Please read ahead and evaluate, stop at any point if in doubt. Contact your local distributor or dealer to seek assistance and they will be able to assist on the installation.



1. Remove the top cover of the Quest

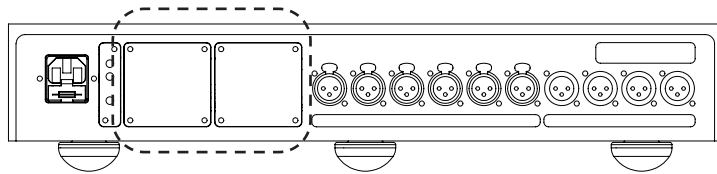
Locate the 8 x Torx screws securing the top carbon cover of the Quest. Use a T10 Torx screwdriver, rotate anticlockwise to loosen and remove the screws from the main chassis.

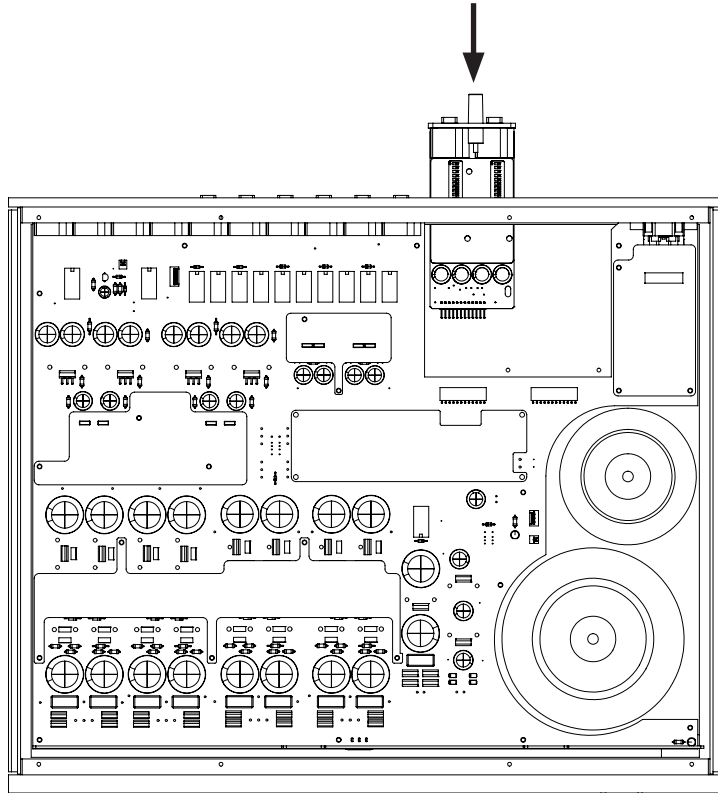
The cover can be lifted up from the side easily after all 8 screws have been removed.

2. Remove the rear carbon panel of the expansion bay

Locate the 4 x Torx screws securing the carbon cover of the desired bay in which the option card will be installed. Use a T10 Torx screwdriver, rotate anti-clockwise to loosen and remove the screws from the main chassis.

The cover can be removed once all screws are out. You will only need to remove one cover for a single card installation, both bay 4 and 5 should yield identical audio performances.





3. Install the option card

Carefully slide the option card into the Quest from the back of the unit. Please make sure ALL the pins are inserted firmly into the socket located on the main-board.

If everything is lined up correctly, you will be able to secure the card to the chassis with the included M3 Torx screw. The securing screw is located at the bottom right corner of the card with this indicated orientation.

Please make sure you have ALL the pins of the option card lined up and fully inserted into the socket located on the main-board. The installation of the securing screw also helps to confirm if all the pins are inserted correctly. Failure to do so will result in a irreversible complete power supply failure.

Reinstall the 4 x Torx screw located at the back of the unit to firmly secure the rear carbon panel to the chassis. After adjustment of the settings in Part 7 of this guide (If necessary), reinstate the top cover and the 8 Torx screws and the installation is complete.

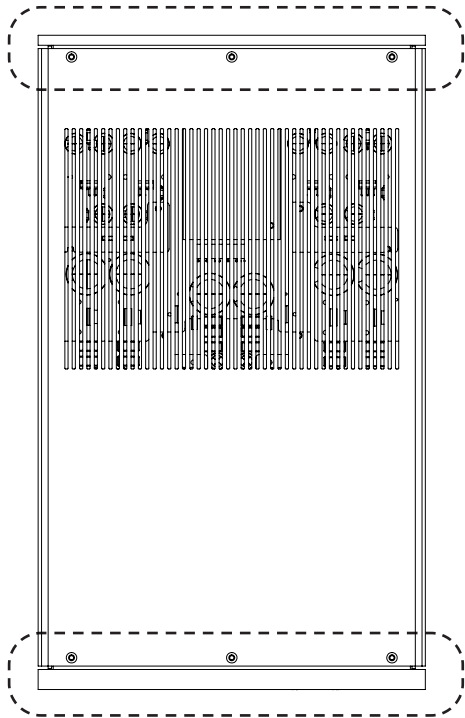
4 Installation (Monologue)

Installation and precautions

Before any installation or connection, please make sure the Monologue is completely powered down, main switch switched off and the power cord unplugged and remove from the back of the unit. We advice to leave the unit idle for 5 minutes after disconnecting the power cable before installing the phono card.

WARNING! NEVER plug or unplug any cables during operation. It may cause failure or damage to the pre-amplifier, amplifier and speakers. Be sure that both the pre-amplifier and the amplifier are switched off before unplugging any cables. It is even safer to unplug the AC power cord before unplugging other cables.

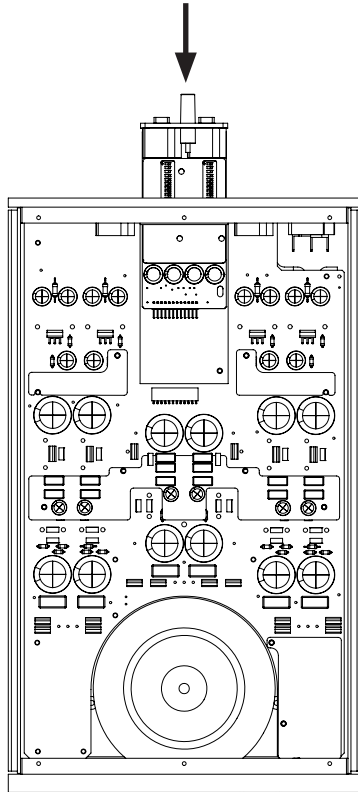
The installation should take no more than 15 minutes to do so and you will only need a T10 Torx screwdriver. Please read ahead and evaluate, stop at any point if in doubt. Contact your local distributor or dealer to seek assistance and they will be able to assist on the installation.



1. Remove the top cover of the Monologue

Locate the 6 x Torx screws securing the top carbon cover of the Monologue. Use a T10 Torx screwdriver, rotate anticlockwise to loosen and remove the screws from the main chassis.

The cover can be lifted up from the side easily after all 6 screws have been removed.



2. Install the option card

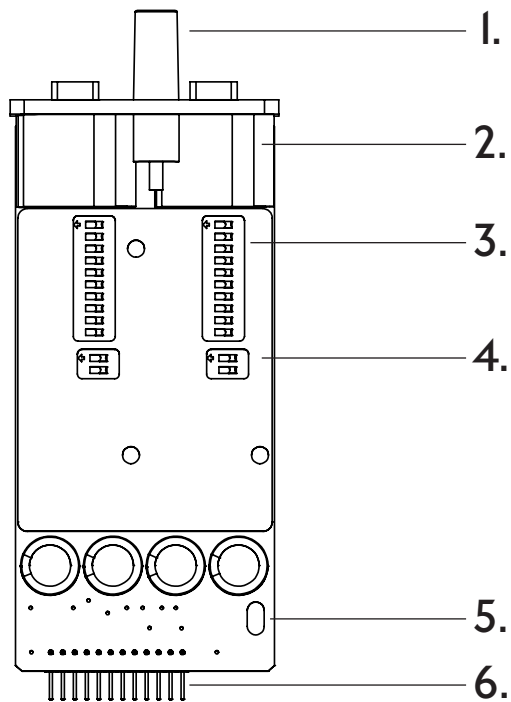
Carefully slide the option card into the Monologue from the back of the unit. Please make sure **ALL** the pins are inserted firmly into the socket located on the main-board.

If everything is lined up correctly, you will be able to secure the card to the chassis with the included M3 Torx screw. The securing screw is located at the bottom right corner of the card with this indicated orientation.

Please make sure you have ALL the pins of the option card lined up and fully inserted into the socket located on the main-board. The installation of the securing screw also helps to confirm if all the pins are inserted correctly. Failure to do so will result in a irreversible complete power supply failure.

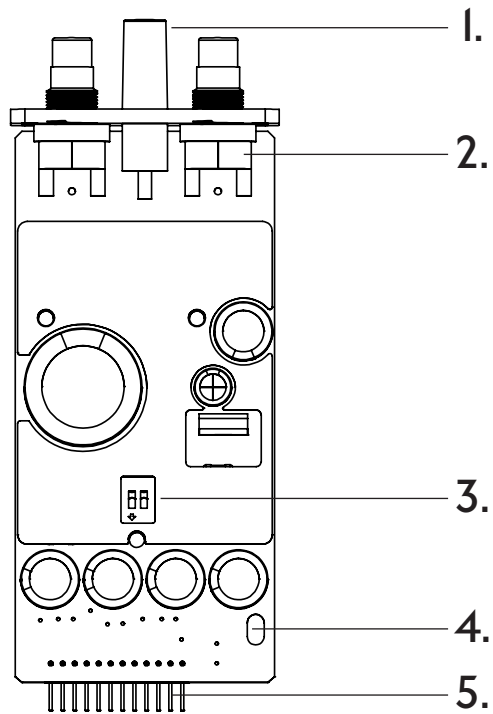
Install the 4 x Torx screw located at the back of the unit to firmly secure the rear carbon panel to the chassis. After adjustment of the settings in Part 7 of this guide (If necessary), reinstate the top cover and the 6 Torx screws and the installation is complete.

5 Name of parts (MC & MM)



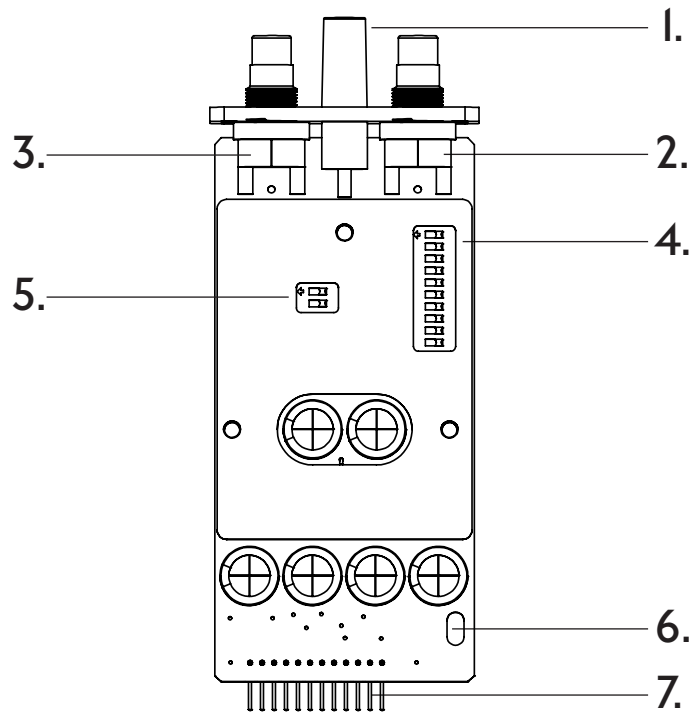
1. Ground terminal
2. Input connectors
3. Impedance and Capacitance adjuster
4. Gain adjuster
5. Securing screw
6. Connecting Pins

Name of parts (DS Audio)



1. Ground terminal
2. Input connectors
3. High-pass filter switch
4. Securing screw
5. Connecting Pins

Name of parts (Mono)



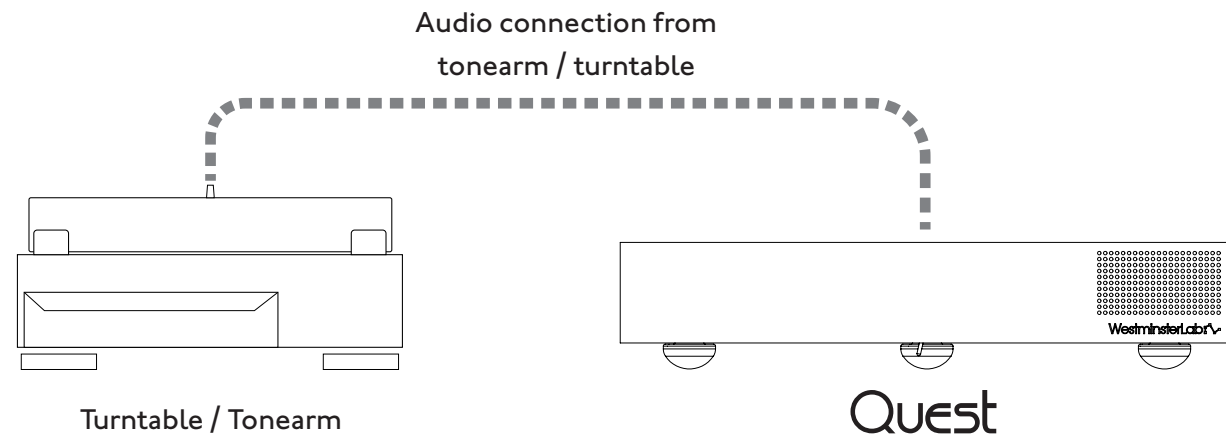
1. Ground terminal
2. RCA connector (Signal Input)
3. RCA connector (Not in use)
4. Impedance and Capacitance adjuster
5. Gain adjuster
6. Securing screw
7. Connecting Pins

6 Connecting the phono module

Connect your tone arm to the Phono input with a phono cable with the appropriate connection. If your phono cable comes with a separate ground connection, please use the ground terminal located at the back of your phono card as the grounding pole.

NOTE -With the Mono phono card, we recommend using a true single coil cartridge with a PHONO cable which consist of one single channel. Mono cartridge with dual coils and stereo phono cable are also compatible but the Mono phono card will just take the signal from right channel.

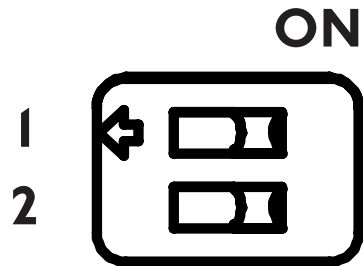
WARNING - Please make sure you do not connect your typical MC or MM cartridge to the DS Audio module, it may cause irreversible damage to both the cartridge and the DS Audio module.



7 Setting up (MC & MM)

Before enjoying music, there are three settings which need to be adjusted on the phono card with the built in jumper selector. These settings are all specific to your setup and listening habit / preference. You should be able to find the recommended starting point for impedance and capacitance settings for your specific cartridge from your cartridge manufacturer.

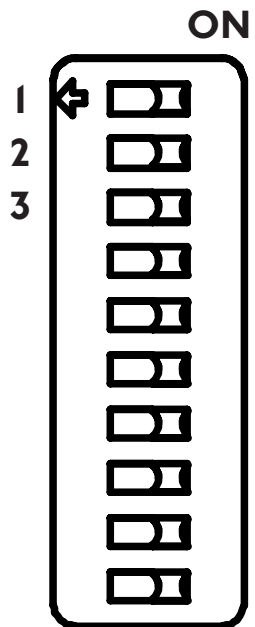
WARNING - Before any Gain / Loading Capacitance / Impedance adjustment, please make sure your Quest is completely powered off and the power cord removed from the back of the unit.



Gain

The 2-Pin toggle located further away from the rear panel of the phono module allows user to set the specific gain needed for the cartridge. The output levels of different cartridges varies and it is important to set to one value which yields enough gain for a pleasurable listening experience. We recommend to start from 40db for MM / 50db for MC and work your way up.

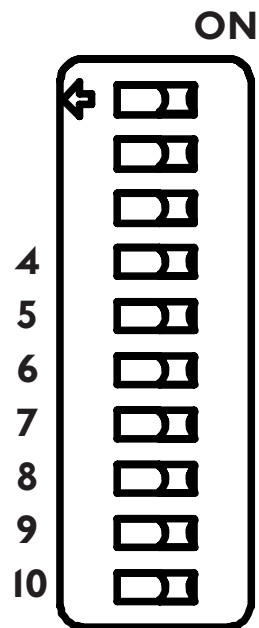
Pin	40db	50db	60db	70db
1			On	On
2		On		On



Loading Capacitance

The first 3 pins of the 10-Pin toggle located towards the input socket allow the users to set the specific input capacitance of the phono card. Please consult your cartridge manufacturer for the recommended settings. For MC cartridges, we recommend to leave it at 22pF.

Pin	22pF	69pF	122pF	169pF	322pF
1		On		On	
2			On	On	
3					On



Impedance

Pin 4 to Pin 10 of the 10-Pin toggle located towards the input socket allow the users to set the specific input impedance of the phono card. The impedance setting is very important in getting the most out of your cartridge and your WestminsterLab gears. Please consult your cartridge manufacturer for the recommended settings or your nearest WestminsterLab dealer for consultations.

Pin	47kΩ	980Ω	465Ω	357Ω	317Ω	268Ω	219Ω	211Ω	202Ω	180Ω	170Ω	150Ω	130Ω	114Ω	100Ω	89Ω	69Ω	60Ω	56Ω	53Ω	49Ω	42Ω	36Ω	33Ω	
4															On		On	On	On	On	On	On	On	On	On
5												On	On	On		On		On	On	On	On	On	On	On	On
6							On			On						On	On						On	On	On
7						On		On			On											On		On	On
8				On					On														On	On	On
9			On		On				On		On			On							On				On
10		On			On			On		On			On						On						

Setting up (DS Audio)

Our DS Audio phono module has been certified by DS Audio to work with all DS Audio cartridges. An overload protection has also been implemented into the design of the module to protect both the module itself and the cartridge. No adjustments or setup are needed for normal operation. However, due to the nature of the optical cartridge and its ability to output extremely low frequencies, a high-pass filter may be necessary to reduce the subsonic frequency response. A -6dB 20Hz filter can be activated if both Pin 1 and Pin 2 are in the ON position.

8 Operation

Initial power-up of the Quest with Phono module

PLEASE be sure that the phono module has been correctly installed and the connects of the module lined up perfectly with the connector on the main board. ALL pins of the module MUST be fully inserted and seated. Non-reversible damages can be done to both the module and the Quest if the card is not properly seated. These type of damages are NOT covered by the warranty.

PLEASE be sure that no loose items are within the Quest. Conductive loose items such as screws and tools can causes a short circuit within the Quest.

PLEASE be sure that the top cover of the Quest has been reinstalled and the main switch of the Quest is in the OFF position before any power cables can be inserted to the back of the Quest.

PLEASE be sure that all cables are connected correctly before power-up. Missing or loose input or output cables may cause failure and non-reversible damages to the pre-amplifier, amplifier and speaker.

Upon connecting the power cord, please set main switch to ON position and the Stand-by LED in RED located at the back of the unit should light up. Locate and point the remote control towards the front of the pre-amplifier and push the power button on the remote once to switch the unit on.

The volume display should show 00 and the input display should show the number 1, indicating the input 1 is active at the moment. Switch on your am-

plifiers and test the systems operation with a known good source (if available) and see if the system is performing as expected.

Switch to the phono card input and adjust the volume to a low setting. Lower the needle of your turntable setup and check if music are coming from both of the speakers.

The feedback we received leads us to recommend at least 50 hours of burn-in on the Phono Module. Customers generally report improvement up to two months.

9 Troubleshooting

There is no sound when the stylus is playing.

1. Check that the Monologue / Quest has power.
2. Check if the cables are all connected.
3. Check if the cartridges are connected correctly.
4. Check if the option card is seated correctly.
5. Check the gain settings and see if the right gain has been selected.
6. If all of these steps fail to yield music, consult your dealer or distributor for service.

DS Audio Cartridge is not lighting up. (DS Audio Only)

The cartridge of DS Audio has a LED indication light which should illuminate upon power on.

1. Check if the DS Audio cartridge is connected correctly.
2. Check the phono cable if the Left and Right channel is connected correctly.
3. If all of these steps fail, consult your dealer for service.

10 Opinions to obtain best performance

- I. Place the turntable on a rigid and stable platform
- II. Warm up for more than 45 to 60 minutes.
- III. We recommend cartridge with lower impedance for the best reproduction
- IV. Put the Quest as close as possible to the turntable and use the shortest phono cable available. We highly recommend Westminsterlab phono cables to obtain the best experience and performance
- V. It is recommended to use a dedicated AC power cord rated at a minimum of 3 amps for 230V mains, or 5 amps for 110V mains. We highly recommend WestminsterLab power cables to obtain the best experience and performance.
- VI. The power supply of the Quest has been meticulously designed to deliver the utmost performance. From our experiences, power conditioners and also regenerators are not recommended for the Quest.
- VII. The approach of phono amplification by WestminsterLab is very different from the rest of the industry. The resolution, transparency, transient and the lack of distortion reveals the best and true performances of your records, cartridge and turntable. You may here more imperfections from the record, the distortions from the cutting heads, even the slight drop in linear resolution of the inner groves. But you can also hear the ever slight movement of air within the recording studio, each breath the musician took and every stroke of notes that the artist hit as intended.

|| Limited Warranty

WestminsterLab warrants the WestminsterLab Phono Module against manufacturing defects and defects in materials for three years from the date of purchase from an authorized WestminsterLab dealer, subject to the conditions listed below:

1. The warranty covers only new WestminsterLab Phono Module (product or products) by WestminsterLab purchased from an authorized WestminsterLab dealer.
2. The warranty is valid only if the product has been used according to the instructions in the owner's manual. Damage due to accidents, owner abuse or negligence is not covered under this warranty.
3. All services must be performed by an authorized WestminsterLab dealer. Damage resulting from service by other parties is not covered under this warranty.
4. All products returned for service must be packaged in the original container and must include an original / photocopy of the original purchase receipt. If the original container has been lost or discarded, contact WestminsterLab or WestminsterLab distributors or dealers for a replacement.
5. If the product must be shipped back to WestminsterLab for warranty service, the customer shall bear the shipping costs. WestminsterLab will pay for return shipping.
6. Before shipping the product to WestminsterLab for service, the customer must first obtain a Return Authorization (RA) number from WestminsterLab. The RA number must be marked clearly on the side of the package.
7. WestminsterLab has the right to choose whether repairing the product

by using new or refurbished parts.

8. This warranty covers only defects in products made by Westminster-Lab. It does not cover incidental or consequential damages, force majeure, or damages to other products resulting from defects in WestminsterLab products.
9. Your authorized importer or dealer bears the direct responsibility for warranty coverage of your amplifier. Please contact your importer or dealer with requests for service under warranty. WestminsterLab will work with your importer or dealer to assure that the terms of the warranty are fulfilled.

12 Legal information

The information in this owner's manual is subject to changes without notice.
The current version of this manual was produced by the WestminsterLab Ltd..

The information in this manual is the sole property of WestminsterLab Ltd..
Any reproduction in whole or part without the expressed written permission
of WestminsterLab Ltd. is prohibited. No material herein may be transmitted
in any ways including either electronic or mechanical methods for any pur-
pose without expressed written permission of WestminsterLab Ltd..